



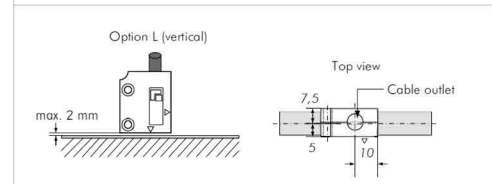
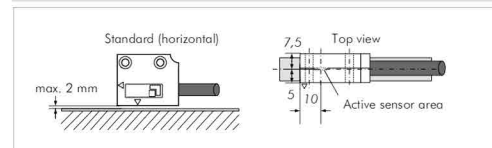
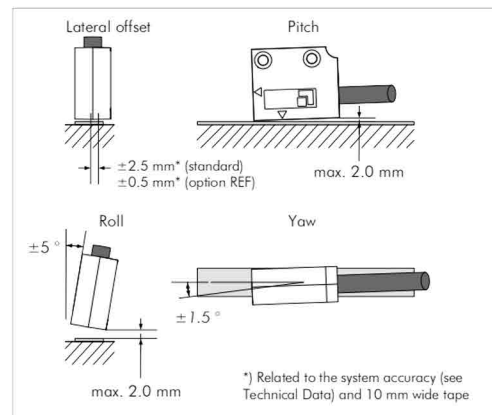
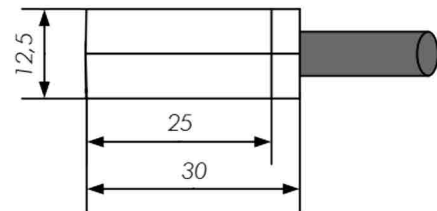
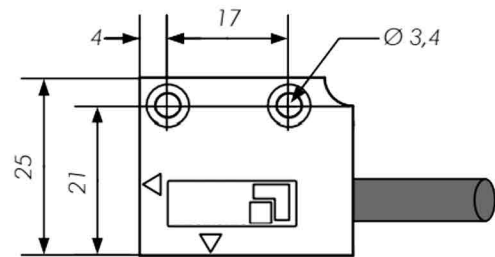
Magnetic Reader Head



LMIX22

Magnetic incremental linear encoder with selectable resolution and optional reference signal.

- With periodic index pulse or optional reference pulse.
- Distance between sensor / magnetic tape of up to 2.0mm.
- Differential HTL or TTL Line Driver outputs.
- Repeat accuracy ± 1 increment.
- Small Sensor with integrated evaluation electronic (translator).
- Speed proportional output of the square wave signals.
- Used with magnetic tape MB2050.



Stock Code	LMIX22
Mechanical Data	
Measuring Principle	Incremental
Repeat accuracy	± 1 Increment
Signal Output	Speed Proportional
System Accuracy in μm at 20°C	$\pm(25 + 20 \times L)$ (L = Measuring Length in meter)
Distance Sensor - tape	max. 2.0mm
Housing Material	Zinc die-cast
Maximum Wire Length	5 V / 5 V-TTL = 10m 10 - 30 V / 10 - 30V = 30m 30 V / 5 V-TTL = 50m
Weight	ca. 35 g without cable approx. 60 g/m
Electrical Data	
Supply Voltage	5 VDC or 10 ... 30 VDC
Residual ripple	10 ... 30 VDC: < 10 %
Power Input	5 VDC: max. 200mA ... 30 VDC: max. 150 mA
Speed	max. 4 m/s (at 10 μm resolution)
Output Level	TTL Line Driver or HTL
Output channels	A, A', B, B', Z, Z' (Optionally R, R')
Output frequency per channel at 10 μm resolution	max. 100 KHz at 4.0m/s with an optional evaluation
Reference pulse R / R' (versions 007 & 027)	LMIX22-007: Output at position of the magnetic angle. LMIX22-027: Output at defined position of an additional magnetic tape track
Index pulse Z / Z'	periodically every 5 mm
Environment Conditions	
Storage temperature	-25... +85 °C
Operational temperature	-10... +70 °C (-25... +85 °C on request)
Humidity	Max. 95%, non condensing
Protection class	IP67