

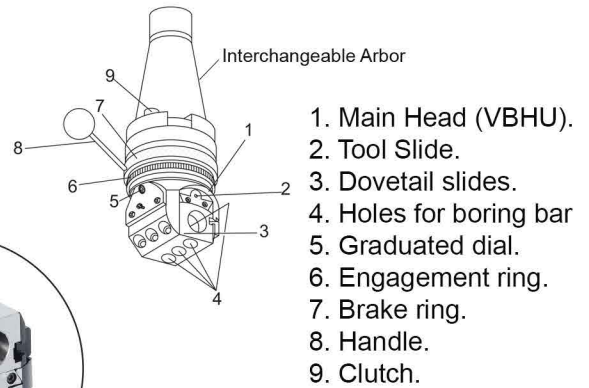


# Universal Boring And Facing Head



Supplied without arbor.  
(See interchangeable arbors at bottom of page)

- Dovetail guideways.
- Rapid adjustment
- Automatic feed with trip.
- Built-in clutch.
- Hardened & ground.
- Includes:
  - 7 boring bars.
  - 2 clamping sleeves.
  - Spanner & allen keys.
  - Convenient storage/carry case.



Head  
VBHU

### Optional Accessories:

Boring Bars

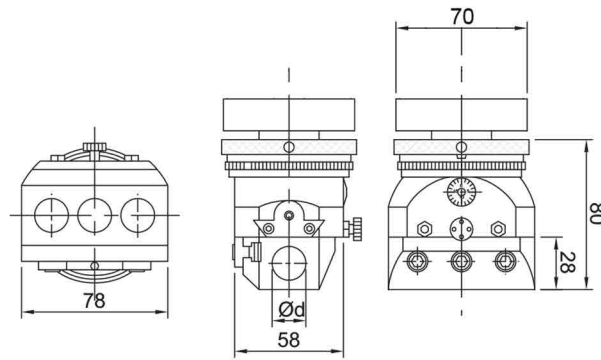
Interchangeable Arbor



Pg V112



Pg V028



(mm)

Stock Code	Capacity (Diameter)	d	Hole Distance	Cross Hole Dia	Offset
VBHU	5-250	18	23	18	15

## Interchangeable Arbors

Stock Code	Taper
VBHU-R8	R8
VBHU-NT30	30ISO
VBHU-NT40	40ISO
VBHU-NT50	50ISO

