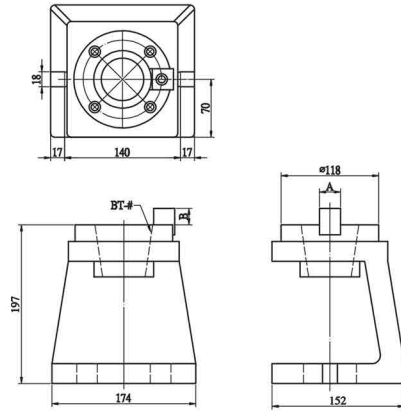




Tool Setting Stands - Simple



- Prevents damage to the machine spindle & drawbar.
- Prevents damage to the tool taper.
- Recommended to use a pull stud spanner.
- Prevents damage to the pull stud.
- All nuts, screws & pull studs can be safely & securely tightened.



Stock Code	Taper
VTS-BT30	BT30, ISO 30
VTS-BT40	BT40, ISO 40
VTS-BT50	BT50, ISO 50

Optional Accessories:

Pull Stud Spanner

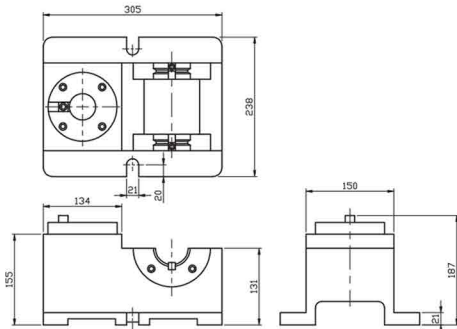


Pg V043



Tool Setting Stands - Deluxe

- Prevents damage to the machine spindle & drawbar.
- Prevents damage to the tool taper.
- Recommended to use a pull stud spanner.
- Prevents damage to the pull stud.
- All nuts, screws & pull studs can be safely & securely tightened.



Stock Code	Taper
VTD-9	BT30, ISO30
VTD-1	BT40, ISO40
VTD-2	BT50, ISO50

Optional Accessories:

Pull Stud Spanner



Pg V043